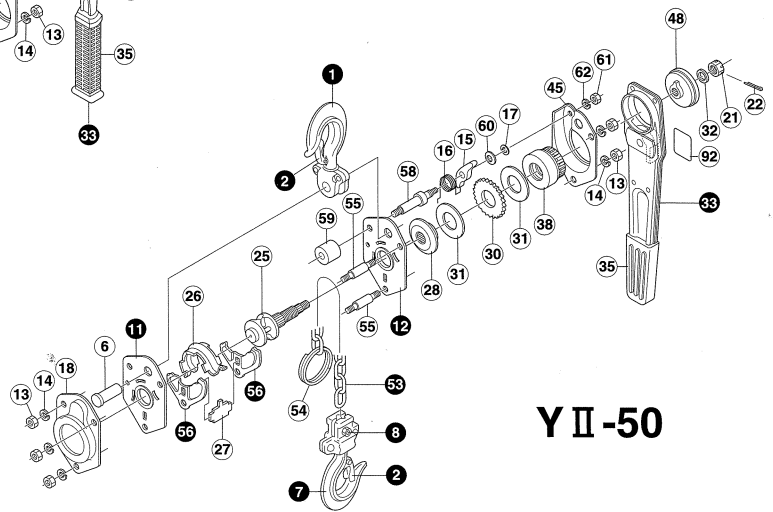
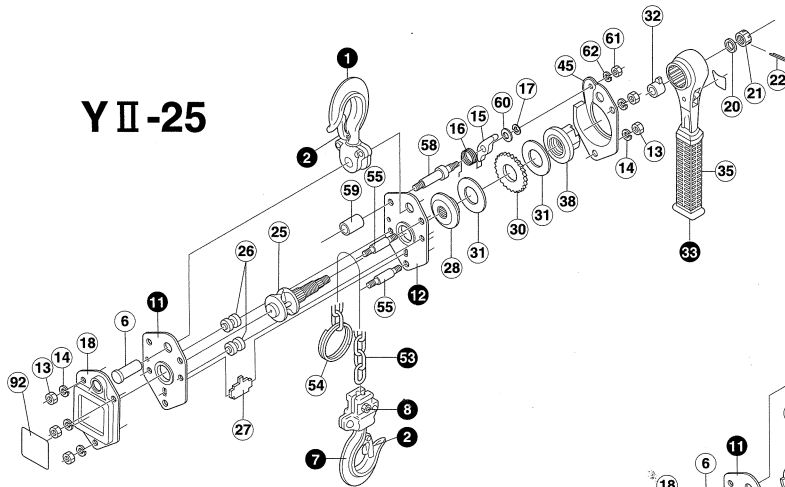


DETAIL DRAWING : Y II -25. Y II -50

Y II -25



Y II -25. Y II -50

- | | | |
|---|---|--|
| <ul style="list-style-type: none"> ① Top hook assy set ② Safety latch set ⑥ Top hook pin ⑦ Bottom hook assy set ⑧ Chain stop bolt set ⑪ Gear side plate assey set ⑫ Lever side plate assey set ⑬ Hex. nut ⑭ Spring washer ⑮ Ratchet ⑯ Ratchet spring ⑰ E-ring ⑱ Gear cover assy set ⑳ Washer for pinion shaft | <ul style="list-style-type: none"> ⑳ Hex. castle nut ㉒ Cotter pin ㉔ Load sheave ㉖ Chain guide assy set ㉗ Chain stripper ㉘ Disc hub ㉚ Ratchet wheel ㉛ Friction disc ㉜ Check washer ㉝ Lever assy set ㉞ Pair screw ㉟ Feed gear (Female screw) ㊱ Brake cover | <ul style="list-style-type: none"> ㊲ Lever setter ㊳ Load chain ㊴ Chain stopper ㊵ Stay bolt ㊶ chain leader set (Y II -50) ㊷ Ratchet pin ㊸ Stay pipe ㊹ Plain washer (Y II -25) ㊺ Hex.nut ㊻ Spring washer ㊼ Name plate |
|---|---|--|

Y II -50