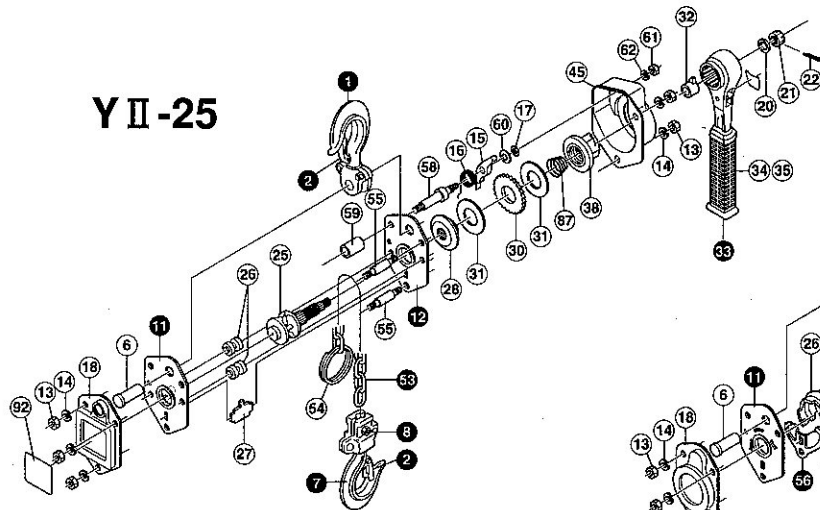
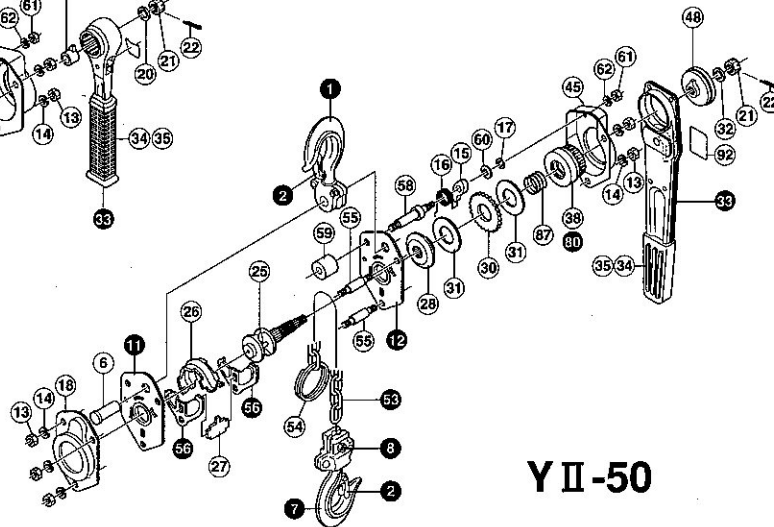


DETAIL DRAWING : Y II -25. Y II -50

Y II -25



Y II -50



Y II -25. Y II -50

- | | | |
|-------------------------------|-----------------------------|----------------------------------|
| ① Top hook assy set | ②① Hex. castle nut | ④⑤ Brake cover |
| ② Safety latch set | ②② Cotter pin | ④⑥ Lever setter |
| ③ Top hook pin | ②③ Load sheave | ⑤⑥ Load chain |
| ⑦ Bottom hook assy set | ②⑤ Chain guide assy set | ⑤④ Chain stopper |
| ⑧ Chain stop bolt set | ②⑦ Chain stripper | ⑤⑤ Stay bolt |
| ①① Gear side plate assey set | ②⑧ Disc hub | ⑤⑥ chain leader set (Y II -50) |
| ②② Lever side plate assey set | ③① Ratchet wheel | ⑤⑧ Ratchet pin |
| ③③ Hex. nut | ③② Friction disc | ⑤⑨ Stay pipe |
| ④④ Spring washer | ③③ Check washer | ⑥① Plain washer (Y II -25) |
| ⑤⑤ Ratchet | ③④ Lever assy set | ⑥② Hex.nut |
| ⑥⑥ Ratchet spring | ③④ Lever grip | ⑥③ Spring washer |
| ⑦⑦ E-ring | ③⑤ Lever assy | ⑥④ Device set |
| ⑧⑧ Gear cover assy set | ③⑥ Pair screw | ⑥⑦ Spring for floating mechanism |
| ⑨⑨ Washer for pinion shaft | ③⑥ Feed gear (Female screw) | ⑥⑧ Name plate |