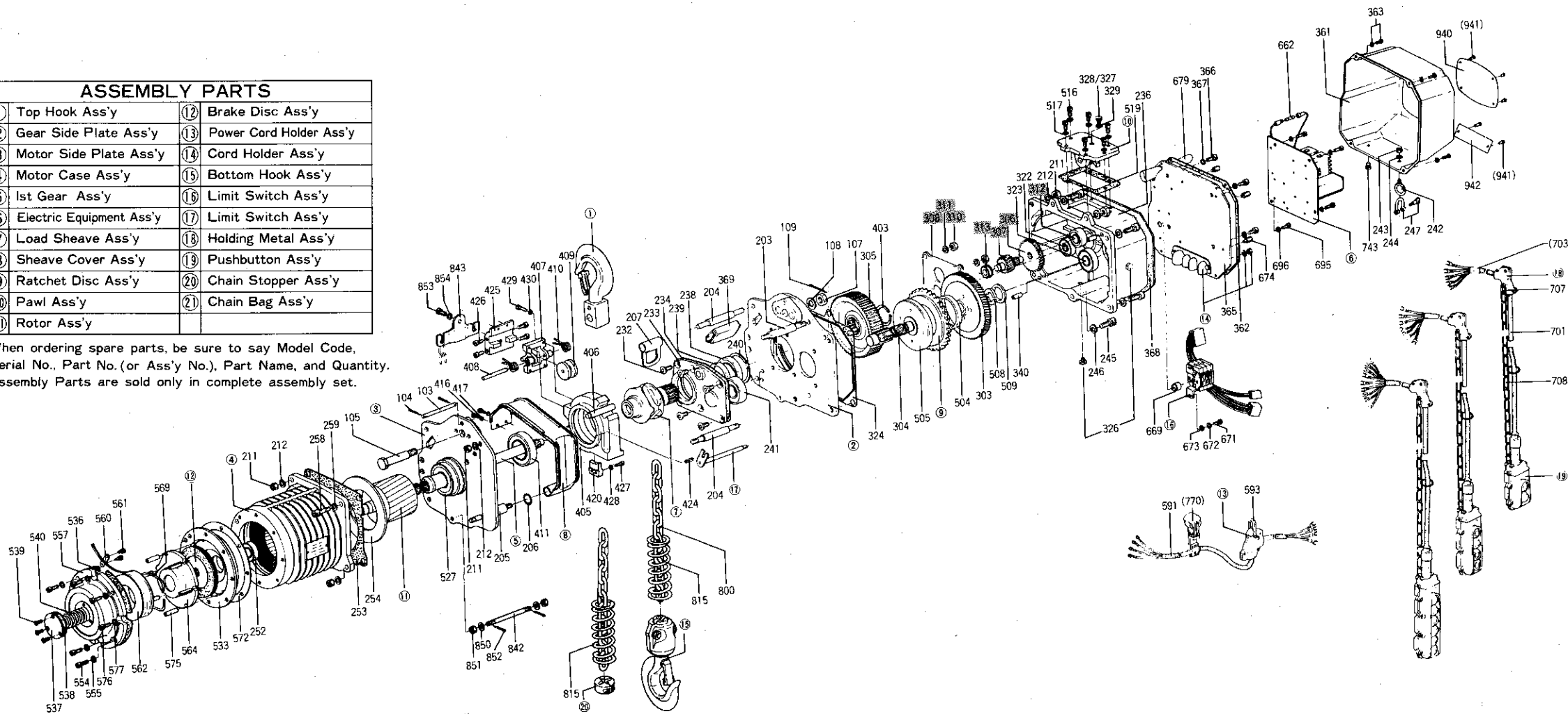


EXPLODED VIEW AND PARTS NAMES

ASSEMBLY PARTS	
① Top Hook Ass'y	⑫ Brake Disc Ass'y
② Gear Side Plate Ass'y	⑬ Power Cord Holder Ass'y
③ Motor Side Plate Ass'y	⑭ Cord Holder Ass'y
④ Motor Case Ass'y	⑮ Bottom Hook Ass'y
⑤ 1st Gear Ass'y	⑯ Limit Switch Ass'y
⑥ Electric Equipment Ass'y	⑰ Limit Switch Ass'y
⑦ Load Sheave Ass'y	⑱ Holding Metal Ass'y
⑧ Sheave Cover Ass'y	⑲ Pushbutton Ass'y
⑨ Ratchet Disc Ass'y	⑳ Chain Stopper Ass'y
⑩ Pawl Ass'y	㉑ Chain Bag Ass'y
⑪ Rotor Ass'y	

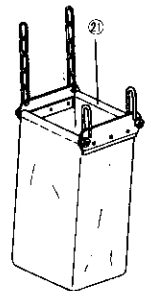
When ordering spare parts, be sure to say Model Code, Serial No., Part No. (or Ass'y No.), Part Name, and Quantity. Assembly Parts are sold only in complete assembly set.



103	Top hook stopper pin
104	Cotter pin
105	Top hook pin
107	Hex. nut
108	Spring washer
109	Cotter pin
203	Stay bolt (A)
204	Stay bolt (B)
205	Stay bolt (C)
206	O ring
207	Hanger, holding metal
211	Hex. nut
212	Spring washer
232	Sunk bolt w/hex. hole & seal
233	Flange B

234	Packing, Flange B
236	Gear case
238	Ball bearing 2
239	Oil seal A
240	Snap ring
241	Ball bearing 3
242	Eye bolt
243	Hex. nut
244	Spring washer
245	Bolt w/hex. hole
246	Spring washer
247	Shackle
252	Ball bearing 7
253	Packing, Motor case
254	Plate for locating
258	Bolt w/hex. hole

259	Spring washer
303	DA-2nd gear DB-4th gear
304	DA-3rd gear DB-5th gear
305	DA-4th gear DB-6th gear
322	Ball bearing 4
323	Ball bearing 5
324	Packing, gear case
326	Oil plug
327	Oil plug
328	Air-hole bolt
329	Packing, air hole bolt
340	Spring pin
361	Electric Component Case
362	Packing, electric component case
363	Hex. bolt w/cross hole & washer



365	Electric component board
366	Bolt w/hex. hole
367	Spring washer
368	Adiabatic packing
369	Protection rubber of lead wire
403	Snap ring
405	Chain guide
406	Anti-rotation pin
407	Roller board
408	Roller pin
409	Roller
410	Intermediate stick spring
411	Ball bearing
416	Bolt w/hex. hole
417	spring washer

420	Stripper
424	Corrugated spring pin
425	Holding board for spring
426	Bolt w/hex. hole
427	Bolt w/hex. hole
428	Spring washer
429	Bolt w/hex. hole
430	Spring washer
504	Bush for ratchet disc
505	Disc hub
508	Split ring
509	Stopper ring
516	Bolt w/hex. hole & seal
517	Spring washer
519	Packing, pawl board

527	Ball bearing 6
533	Bearing support
536	Packing, brake stator
537	Spring cover
538	Packing, spring cover
539	Boit w/hex. hole
540	Brake spring
554	Bolt w/hex. hole
555	Spring washer
557	Brake stator
560	Cord pressing metal
561	Bolt w/hex. hole
562	Brake coil
564	Moving core
569	Snap ring
572	Packing, bearing support

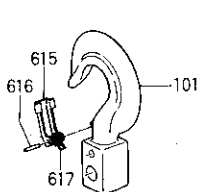
575	Corrugated spring pin
576	Bolt w/hex. hole
577	Spring washer
591	Cabtyre cord
593	Shackle
662	Fuse
669	Joint pipe
671	Bolt w/hex. hole
672	Spring washer
673	Plain washer
674	Hex. stay pin
679	Glass tube
695	Bolt w/hex. hole
696	Spring washer
701	Pushbutton cord

703	Bush
707	Shackle
708	Suspension chain
743	Plug
770	Cable hanger
800	Load chain
815	Stopper spring
842	Chain bag support pin
843	Chain bag support metal
850	Plain washer
851	Hex. nut
852	Cotter pin
853	Bolt w/hex. hole
854	Spring washer

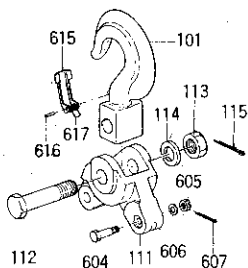
940	Nameplate
(941)	Rivet
942	Nameplate (Type)
PARTS FOR DB-TYPE	
306	2nd gear
307	3rd gear
310	Hex. nut
311	Spring washer
312	Center plate
313	Ball bearing 10
314	Ball bearing 11

EXPLODED VIEW AND PARTS NAMES (ASSEMBLY PARTS)

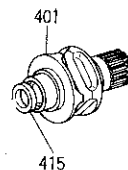
1 TOP HOOK ASS'Y



101	Top hook
615	Safety latch
616	Safety latch pin
617	Safety latch spring

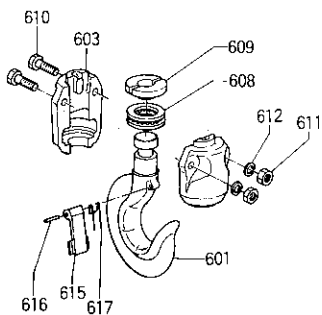


101	Top hook
111	Arm
112	Connecting bolt
113	Hex. nut
114	Spring washer
115	Cotter pin
604	Chain anchorage bolt
605	Hex. nut
606	Spring washer
607	Cotter pin
615	Safety latch
616	Safety latch pin
617	Safety latch spring

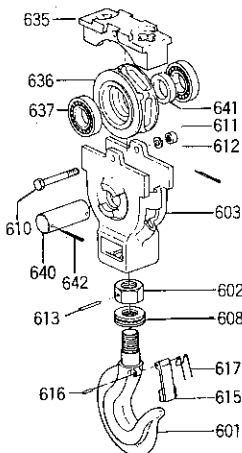


401	Load sheave
415	Oil seal B

15 BOTTOM HOOK ASS'Y

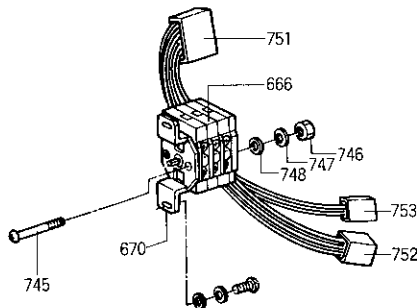


601	Bottom hook
603	Bottom hook cover
608	Thrust bearing
609	Bottom split ring
610	Hex. nut
611	Hex. nut
612	Spring washer
615	Safety latch
616	Safety latch pin
617	Safety latch spring



601	Bottom hook	637	Bearing
602	Bottom hook nut	640	Idle sheave pin
603	Bottom hook cover	641	Idle sheave collar
608	Hex. bolt	642	Cotter pin
611	Hex. nut		
612	Spring washer		
613	Spring pin		
615	Safety latch		
616	Safety latch pin		
617	Safety latch spring		
635	Bottom hook chain guide		
636	Idle sheave		

16 LIMIT SWITCH ASS'Y



666	Rotary switch
670	Rotary switch board
745	Pan head small screw w/cross hole
746	Hex. nut
747	Spring washer
748	plain washer
751	Receptacle 6P w/wire
752	Receptacle 4P w/wire
753	Receptacle 2P w/wire