

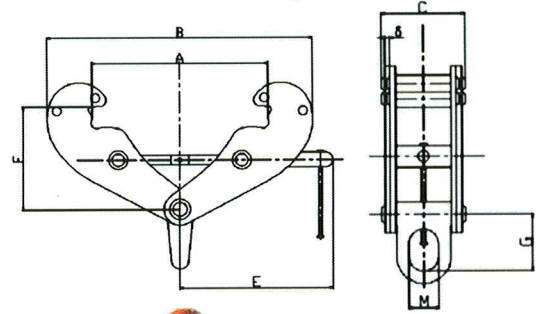
EYE BEAM CLAMP

The eye beam clamp can be used as an anchor for various applications. This clamp is ideal for any type of construction.

The EBC series ranges from rated loads of 1 - 10 metric ton capacity. The zinc plated clamp screw assembly allows for easy adjustment of the clamp.



Model		EBC-1	EBC-2	EBC-3	EBC-5	EBC-10
S.W.L.	(lbs)	2200	4400	6600	11000	22000
S.W.L.	US ton	1.1	2.2	3.3	5.5	11.0
Weight	(lbs)	8	10	21	24	35
Dimensions (in)	A	3.1-9.6	3.1-9.6	3.5-12.2	3.5-12.2	3.5-11.8
	B	7.2 - 14.7	7.2 - 14.7	9.4 - 20.4	9.4 - 20.4	9.8 - 20.4
	C	2.6	2.9	4.1	4.4	4.7
	E	8.3	8.3	10.2	10.2	11.0
	F	4 - 6.4	4 - 6.4	5.3 - 8.8	5.3 - 8.8	6.2 - 9
	G	0.98	0.98	1.77	1.77	1.97
	M	1.10	1.10	1.70	1.70	2.30



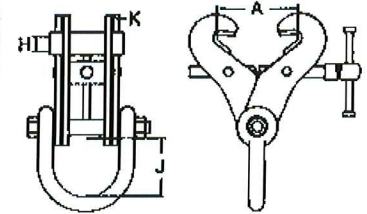
JUMBO BEAM CLAMP

The Jumbo Beam Clamp is also a great option for your rigging application. This clamp line features a wide jaw opening for wide flange beams used throughout the industry.

The JBC's clamp screw assembly is also zinc plated. This clamp series features metric capacities that range from 3, 5, 6, and 10 tons.



Model		JBC-3	JBC-3A	JBC-5B	JBC-5A	JBC-6	JBC-10
S.W.L.	(lbs)	6600	6600	11000	11000	13200	22000
S.W.L.	US Ton	3.30	3.30	5.50	5.50	6.60	11.00
Weight	(lbs)	11	18	22	33	42	62
Dimensions (in)	A	2.99 - 7.48	2.99 - 7.48	2.99 - 7.48	5.9 - 12.00	7.99 - 17.99	7.99 - 17.99
	H	0.87	0.87	0.87	1.26	1.26	1.26
	J	3.74	3.74	4.13	4.13	4.13	5.12
	K	0.24	0.49	0.49	0.49	0.49	0.79



UNIVERSAL AUTOLOCK BEAM TROLLEY

Type	W.L.L. (lbs)	W.L.L. (kg)	Weight (lbs)
U1	6600	3000	46.0
U2	13220	6000	73.0
U3	22000	10000	105.0



Dimensions (in)							
A	B	C	D	E	G	H	J
14.9	11	4.3	9.8	6.6	2.99 - 9.00	3.2	1.2
19.7	11.7	4.3	1.4	6.6	3.90 - 12.00	3.4	1.5
22.8	11.4	5.3	12.2	6.6	3.90 - 12.00	3.4	1.5

