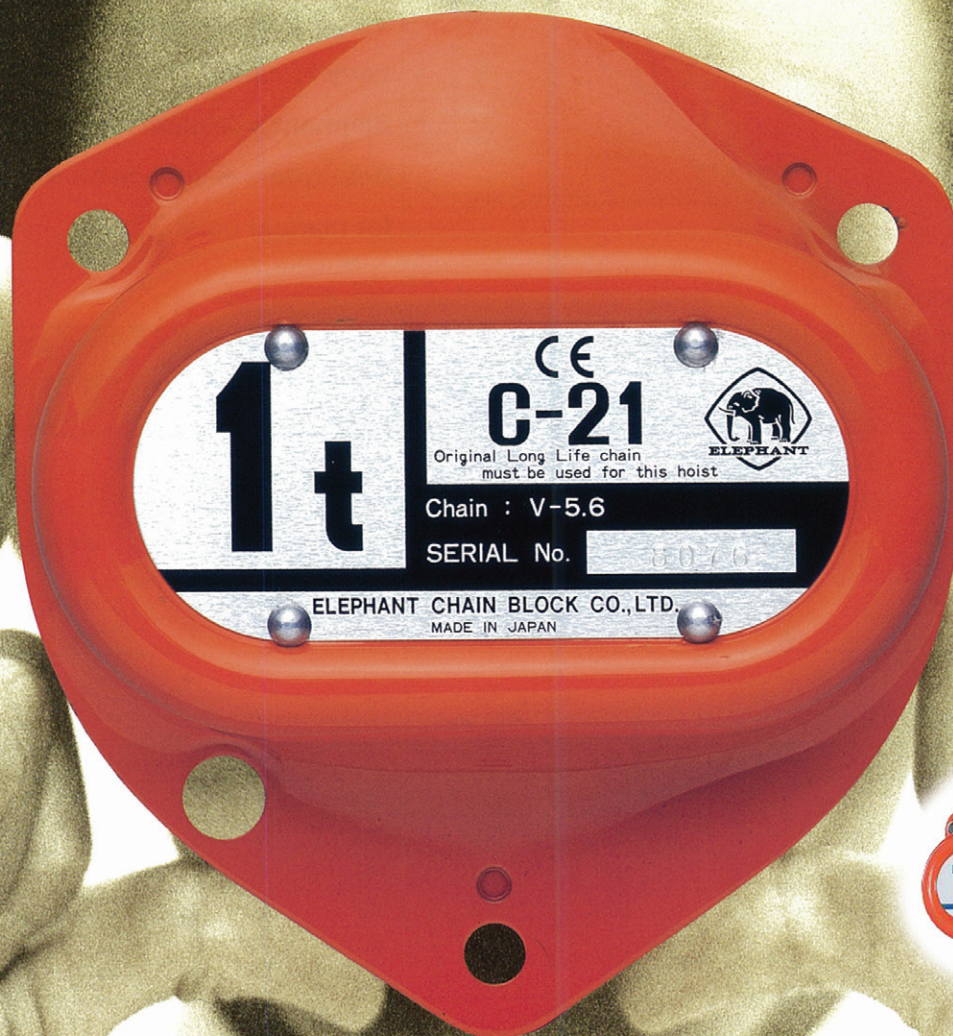


ELEPHANT

NO.2

NEW MANUAL CHAIN HOIST ELEPHANT CHAIN HOIST C21 type

4
ELEPHANT LIFTING PRODUCTS



With advanced metallurgic technology,

Elephant has developed a **special +V class (105kg/mm²) chain;**

This high-tensile chain is wear resistant and offers long life.

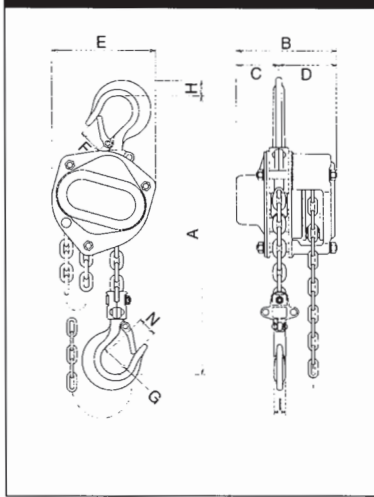
The C21 Hoist is manufactured in the Elephant factory in Osaka, Japan.

In spite of its compact size and light weight, it is very tough and is right for any lifting job.

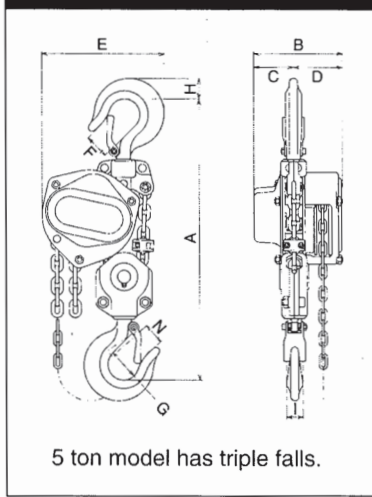


C21 TYPE

Type C21-0.5~C21-2



Type C21-3 · C21-5



- Special +V galvanized load chain
- Zinc plated hand chain
- Heavy duty frame
- Lightweight lifting capacity ratio - a 1 ton unit with 10' lift weighs 20% less than other Japanese hoists
- Long lasting friction discs
- Extremely wear resistant
- Load chain, hooks, and braking parts have a safety factor of 4+ times.
- 0.5t ~ 1t units have a safety factor of 5+ times.

Specifications

Model	Max working load (lbs)	Max working load (mt)	Standard Lift (ft)	Manufacturer's Test Load	Headroom (in) Dim. A	Hand effort to lift full working load (lbf)	Load Chain		Hand chain dia. X pitch (in)	Net weight (lbs)
							dia. X pitch (mm)	no. of falls		
C21-0.5	1100	0.5	10	150% Max. working load	10.9	57.3	4.3 x 12	1	4.5 x 23.0	15
C21-1	2200	1	10		12.2	70.6	5.6 x 17			22
C21-1.5	3500	1.5	10		13.4	72.8	6.5 x 19			28
C21-2	4400	2	10		15	72.8	7.5 x 21	37		
C21-3	6600	3	10		18.9	83.8	6.5 x 19	2		43
C21-5	11000	5	10		21.9	74.9	7.5 x 21	3		75

* Longer lifts can be provided upon request.
* Elephant's hoists have a metric rating

* Specifications & dimensions are subject to change without notice.

Dimensions (in)

Capacity (lbs)	A	B	C	D	E	F	G	H	I	N
C21-0.5	10.9	5.2	2.2	3	4.8	1.2	1.4	0.63	0.51	0.95
C21-1	12.2	5.7	2.4	3.3	5.8	1.4	1.7	0.87	0.63	1.2
C21-1.5	13.4	6	2.7	3.3	6.6	1.4	1.7	1	0.83	1.2
C21-2	15	6.5	3	3.5	7.6	1.7	2.1	1.2	0.87	1.4
C21-3	18.9	6	2.7	3.3	8.2	1.7	2.1	1.4	1.1	1.4
C21-5	21.9	6.5	3	3.5	11.7	2.3	2.8	1.8	1.3	1.8

* Specifications & dimensions are subject to change without notice.

WARNING: ELEPHANT'S ORIGINAL LONG-LIFE CHAIN MUST BE USED FOR THIS HOIST!



ELEPHANT CHAIN BLOCK CO.,LTD.
OSAKA, JAPAN