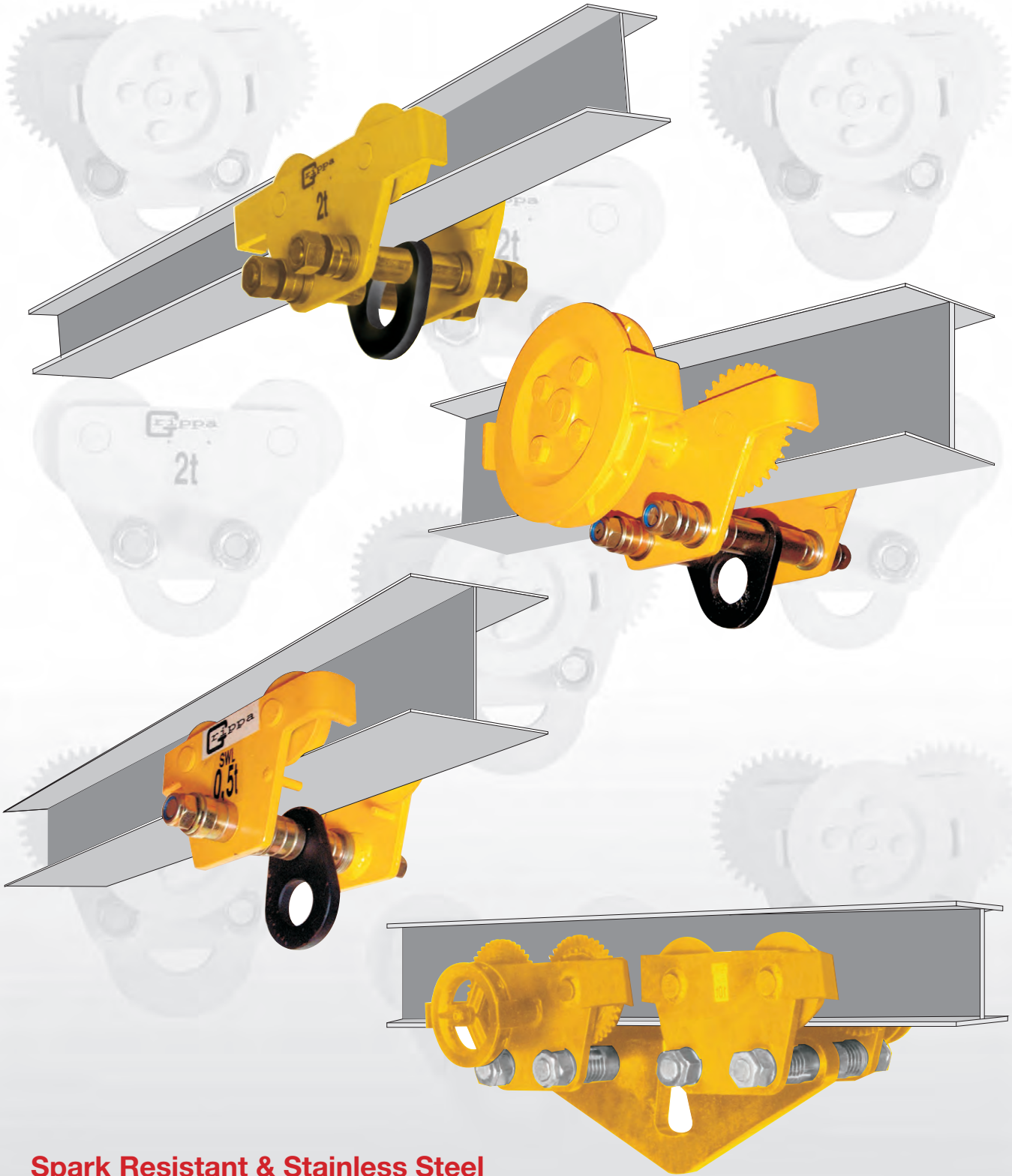


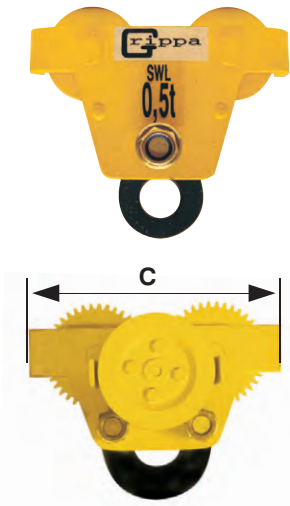
# BEAM CRAWLS



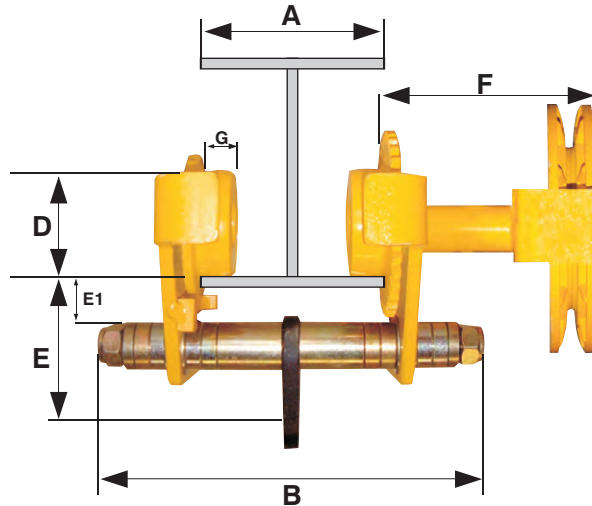
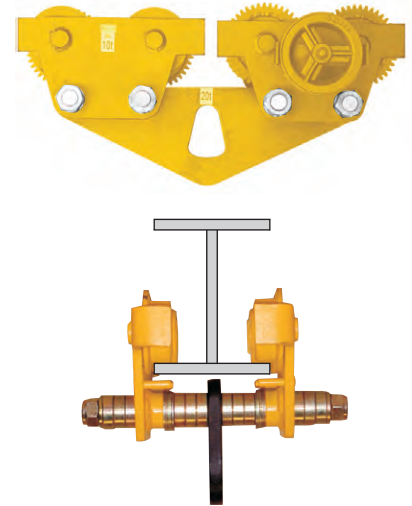
**Spark Resistant & Stainless Steel  
Units Available Upon Request**

# BEAM CRAWLS

0,25T / 0,5T



16T / 20T / 32T



S.W.L. (mt)	250 kg	500 kg	1	2	3	5	10	16/20	32	
S.W.L. (ton)	550 lbs	1100 lbs	1.1	2.2	3.3	5.5	11	17.6/22	35	
MODEL	DIMENSIONS (in)									
"A" BEAM WIDTH RANGE	R1	1.97-2.95	1.97-2.95	2.99-6.02	3.54-6.02	3.94-6.54	4.96-6.54	6.06-7.56	6.06-7.56	*
	R2	2.99-5.63	2.99-5.63	5.55-8.27	6.06-8.5	6.57-8.27	6.57-8.27	7.6-9.02	7.6-9.02	*
	R3	-	-	8.31-12.01	8.54-12.01	8.31-12.01	8.31-12.01	9.06-12.01	9.06-12.01	*
"B" OVERALL CROSSHEAD WIDTH	R1	5.91	5.91	9.45	10.24	11.61	12.01	14.96	14.96	*
	R2	9.45	9.45	12.01	12.8	13.39	13.78	16.54	16.54	*
	R3	-	-	15.75	16.14	17.13	17.52	19.49	19.49	*
"C" OVERALL LENGTH GEARED/PLAIN TROLLEY	6.38	7.87	10.08	12.99	13.11	15.04	19.69	40.16	*	
"D" RUNNER TREAD DIAMETER	1.77	2.17	2.56	3.54	3.54	4.33	5.71	5.71	*	
"E" HEADROOM - RUNNER TREAD TO SUSPENSION PLATE SEAT	4.13	4.25	3.15	3.5	4.49	4.49	9.37	10.16	*	
"E1" HEADROOM - RUNNER TREAD TO SPACER	0.47	0.59	0.87	0.83	0.94	0.87	2.87	2.68	*	
"F" EDGE OF RUNNER - FLANGE TO OUTSIDE OF CHAIN WHEEL	-	-	5.31	5.43	5.43	5.67	9.06	9.06	*	
"G" THREAD WIDTH	0.71	0.71	0.75	0.98	0.98	1.18	1.89	1.89	*	
MINIMUM RADIUS OF TRACK CURVE (ft)	2.46	2.46	4.92	4.92	4.92	5.91	9.84	ON REQUEST ONLY	*	
WEIGHT (lbs) PUSH TROLLEY R1	9	11	19	38	49	73	196	392	*	

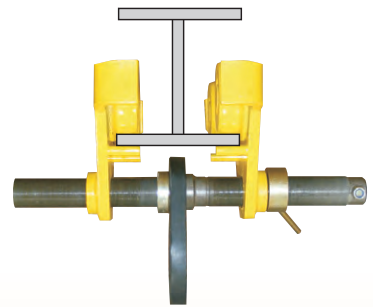
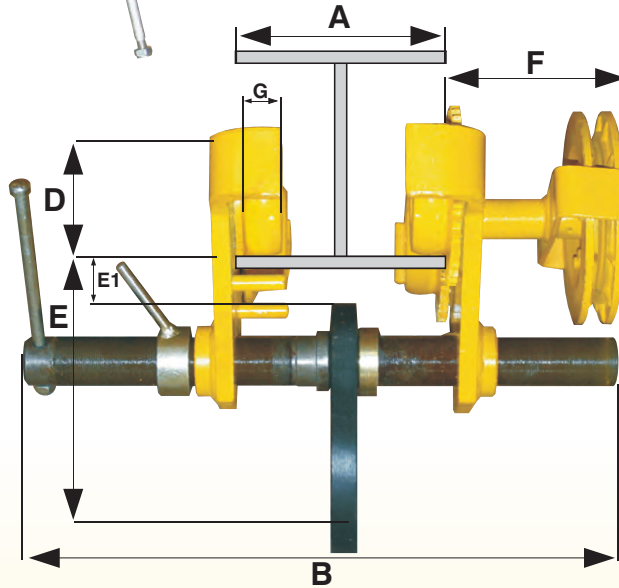
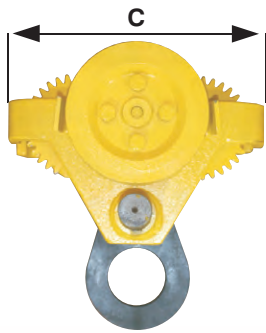
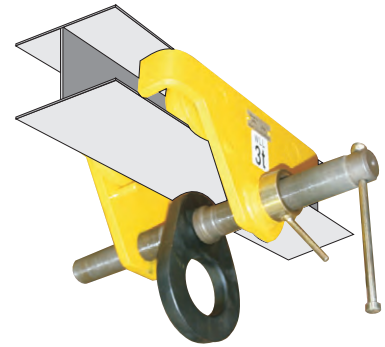
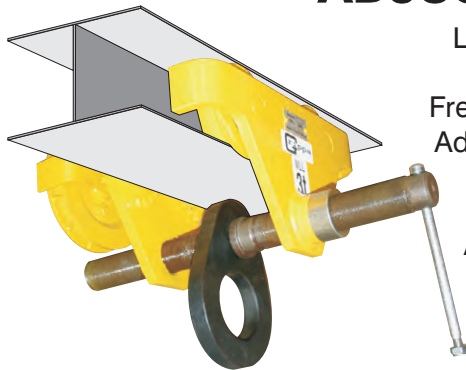
NOTE: 550 LB CAP. AND 1100 LB CAP. ONLY AVAILABLE AS PUSH CRAWL WITH A SINGLE CROSS HEAD BAR  
 NOTE: ACCESSORIES AVAILABLE ON SPECIAL ORDER: 11.81 INCH EXTENSION FOR GEARED TROLLEY

# ADJUSTABLE BEAM CRAWLS

LH/RH Threaded single cross head  
 Locking Bush.  
 Free swinging hook plate. Anti tip pins.  
 Adjustable riggers crawl up to 300mm  
 wide beam.

**PRODUCT CODE:**

ADJ-G: Geared Adjustable Crawl  
 ADJ-P: Push Adjustable Crawl



S.W.L. (mt)	1	2	3	5
S.W.L. (ton)	1.1	2.2	3.3	5.5
DIMENSIONS (in)				
"A" BEAM WIDTH RANGE	1.77-11.02	2.56-11.02	2.76-11.81	3.54-11.81
"B" OVERALL CROSSHEAD WIDTH	17.32	17.72	18.11	19.09
"C" OVERALL LENGTH OF TROLLEY	10.24	12.99	12.99	15.16
"D" RUNNER TREAD DIAMETER	2.56	3.54	3.54	4.33
"E" HEADROOM - RUNNER TREAD TO SUSPENSION PLATE SEAT	5.91	5.91	7.48	8.66
"E1" HEADROOM - RUNNER TREAD TO TOP OF HOOK PLATE ASSY.	1.77	1.18	1.38	1.77
"F" EDGE OF RUNNER - FLANGE TO OUTSIDE OF CHAIN WHEEL	5.51	5.51	5.51	5.71
"G" THREAD WIDTH	0.75	0.98	0.98	1.18
MINIMUM RADIUS OF TRACK CURVE (ft)	4.92	4.92	4.92	5.91
WEIGHT (lbs) PUSH TROLLEY	21	41	51	76